

GP GRIP LITE BY GPCA



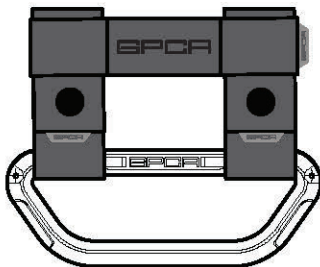
GET A GRIP

Thank you for choosing the authentic GP-Grip LITE universally designed for 1-5.5" diameter roll bar including any Jeep Wrangler models, 4X4, ATV roll bars. Our unique solid-built handle are sophisticated detailed corresponding to the car design elements. They will become one of your highlight pieces on your loved car. With quick installation, you will soon experience a solid and sturdy grip for all your rides on/ off road, or simply getting in/ out of the Jeep.

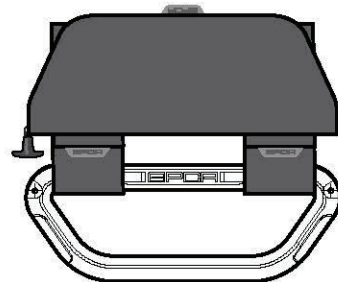
Solid fiber reinforced construction, amazing 250 lbs workload. no more swinging back-and-forth. With the flip-away handle, you can enjoy a full window view and never bump your head when getting in and out or checking your tire placement. *MOLLE strap allows mounting anything you need including the GPCA built-to-last sunglasses case.

What is included in the package *check your purchased model *Illustrations may be slightly different than actual product

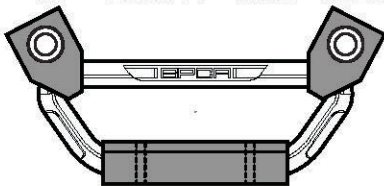
GP-GRIP LITE



GP-GRIP LITE SUNSHINE



GP-BACK-GRIP LITE PAIR



Check your model. Please contact us if you have any installation questions or missing parts. HELLO@GPCA.US

**TRULY MADE FOR ADVENTURIST
DESIGNED IN USA**

ADVENTURE NEVER ENDS

WWW.GPCA.US

Visit us. Shop California Authentic Products

Join our 40K followers

#GPCAofficial

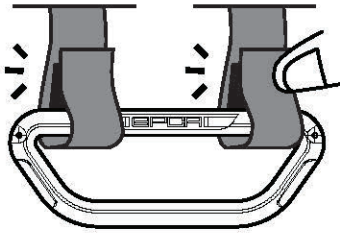


* Jeep, Wrangler, Rubicon, unlimited, JKU are registered trademarks of FCA (Fiat Chrysler Automobiles). GPCA Products (Touching design LLC), has no affiliation with FCA. Throughout this website and catalog the terms Jeep, Wrangler, MOPAR®, & Rubicon are used for identification purposes only. It is not implied that any part listed is a product of, or approved by Fiat Chrysler Automobiles. We just love Jeeps.

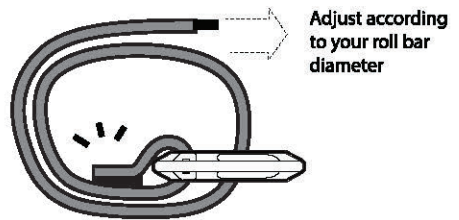
GP-Grip Instructions

watch video gpc.us/installation

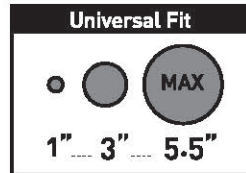
Step 1 Mount the handle to the strap end with the Velcro loop



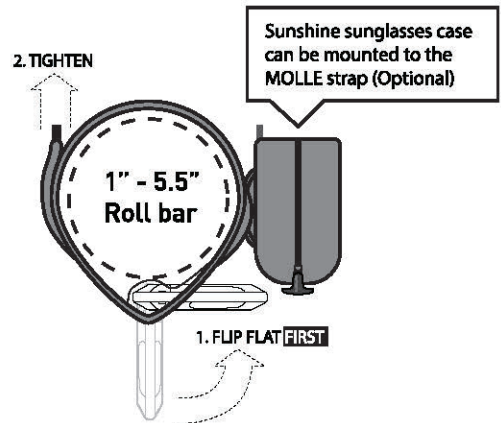
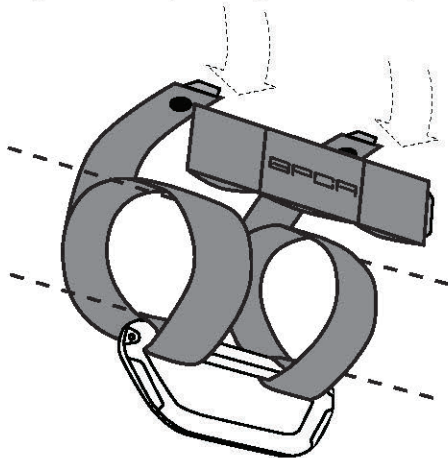
Step 2 Wrap the straps through the handle and mount it to the roll bar



NOTE GP-Grip adjusts to fit 1"-5.5" diameter roll bar or anything you need a handle to grab. Be creative!



Step 3 Now flip the handle flat and then pull to tighten the straps for best foldability. After the adjustment, guide the straps through the back loops of the MOLLE strap, pull tight and press the Velcro area.



NOTE Flip the handle flat and tighten the strap periodically to tight-fit the folded grab handle. These handles are built with outdoor-grade materials. Wipe clean occasionally for a long-lasting use.

GP-Back-Grip Instructions

watch video gpc.us/installation

Step 1 Make sure the extended end under the top ring is between the headrest bar and the metal handle to avoid metal scratching

Step 2 Plug the headrest poles through the holes

